


## SPECIFICATION SHEET - fittings

<b>BRAND:</b>	<b>hansgrohe</b>
<b>ORIGIN:</b>	Germany
<b>SERIES:</b>	<b>Metris Classic</b>
<b>PRODUCT DESCRIPTION:</b>	Tall Single lever basin mixer 250 • with pop-up waste set G 1 ¼" • ComfortZone 250 • normal spray • flow rate: 5 l/min at 3 bars (45 psi) • flow pressure 1~5 bars (15~70 psi)
<b>MODEL No.</b>	31078 000
<b>FINISH/COLOUR:</b>	Chrome-plated
<b>DIMENSIONS:</b>	339mm Height 191mm spout projection
<b>OPTIONAL MATCHING PARTS:</b>	2x angle valve ½"x10mm (no nuts) 1x basin waste trap 1¼"

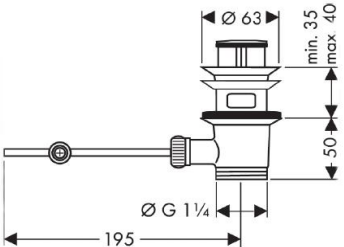
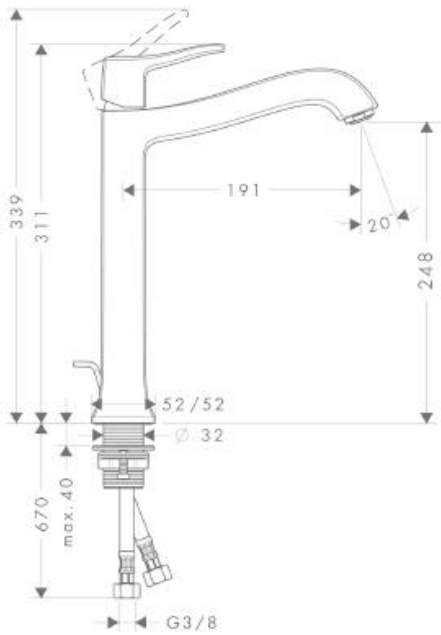
**Product Photo:**

① with flow limiter  
② without flow limiter

Pressure (bar)	Flow Rate (MPC) - with flow limiter (1)	Flow Rate (MPC) - without flow limiter (2)
0.0	0.00	0.00
0.5	0.05	0.10
1.0	0.10	0.20
1.5	0.15	0.30
2.0	0.20	0.40
2.5	0.25	0.50
3.0	0.25	0.50
3.5	0.25	0.50
4.0	0.25	0.50
4.5	0.25	0.50
5.0	0.25	0.50

**Technical Informations:** Suitable for continous flow water heater



**REMINDER:** Pipe flushing must be done before faucets are installed. Failure to do so voids the warranty.  
 Do not use cleaners containing abrasive cleansers, ammonia, bleach, acids, waxes, alcohol, solvents or other products not recommended for chrome.  
 All information is for reference only, installation shall always be based on the actual product delivered.