

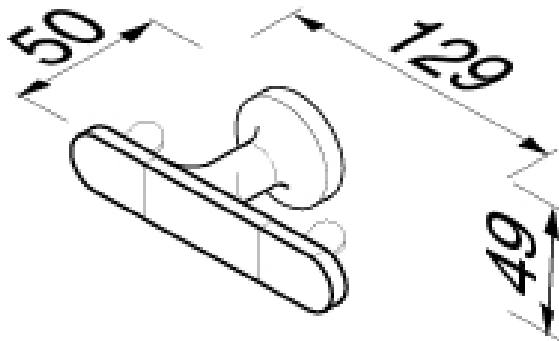


SPECIFICATION SHEET - bathroom accessories

BRAND:		Product Photo: 
ORIGIN:	Netherlands	
SERIES:	STONE	
PRODUCT DESCRIPTION:	Double robe hook	
MODEL No.	7315-02	
FINISH/COLOUR:	Chrome plated	
DIMENSIONS:	50mm L x 129mm W x 49mm H	
OPTIONAL MATCHING PARTS:		

Technical Informations:



REMINDER:	Do not use cleaners containing abrasive cleansers, ammonia, bleach, acids, waxes, alcohol, solvents or other products not recommended for chrome.
	All information is for reference only, installation shall always be based on the actual product delivered.