

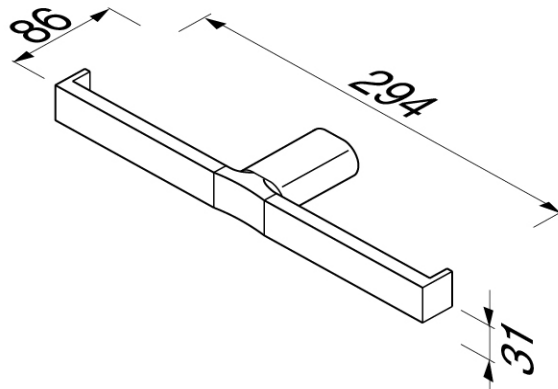


## SPECIFICATION SHEET - bathroom accessories

<b>BRAND:</b>		<b>Product Photo:</b>  
<b>ORIGIN:</b>	Netherlands	
<b>SERIES:</b>	WYNK	
<b>PRODUCT DESCRIPTION:</b>	Double roll holder	
<b>MODEL No.</b>	4518-02	
<b>FINISH/COLOUR:</b>	Chrome plated	
<b>DIMENSIONS:</b>	86mm L x 294mm W x 31mm H	
<b>OPTIONAL MATCHING PARTS:</b>		

**Technical Informations:**



<b>REMINDER:</b>	<p>Do not use cleaners containing abrasive cleansers, ammonia, bleach, acids, waxes, alcohol, solvents or other products not recommended for chrome.</p> <p>All information is for reference only, installation shall always be based on the actual product delivered.</p>
------------------	--