

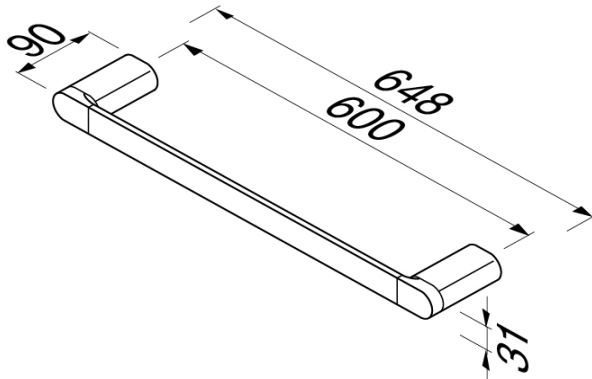


## SPECIFICATION SHEET - bathroom accessories

|                                 |   |   |
|---------------------------------|---|---|
| <b>BRAND:</b>                   |  | <b>Product Photo:</b><br><br> |
| <b>ORIGIN:</b>                  | Netherlands   |   |
| <b>SERIES:</b>                  | <b>WYNK</b>   |   |
| <b>PRODUCT DESCRIPTION:</b>     | Towel bar 60cm  |   |
| <b>MODEL No.</b>                | 4507-0260   |   |
| <b>FINISH/COLOUR:</b>           | Chrome plated   |   |
| <b>DIMENSIONS:</b>              | 90mm L x 648mm W x 31mm H   |   |
| <b>OPTIONAL MATCHING PARTS:</b> |   |   |

**Technical Informations:**



|                  |   |
|------------------|---|
| <b>REMINDER:</b> | Do not use cleaners containing abrasive cleansers, ammonia, bleach, acids, waxes, alcohol, solvents or other products not recommended for chrome. |
|                  | All information is for reference only, installation shall always be based on the actual product delivered.  |