

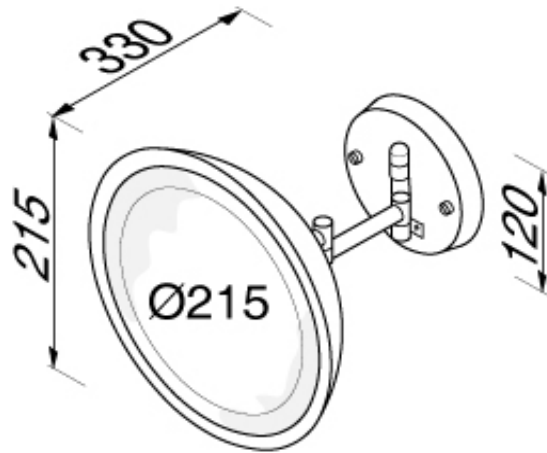


**SPECIFICATION SHEET - bathroom accessories**

<b>BRAND:</b>		<b>Product Photo:</b>  
<b>ORIGIN:</b>	Netherlands	
<b>SERIES:</b>	<b>MIRRORS</b>	
<b>PRODUCT DESCRIPTION:</b>	Mirror 215mm LED on double arm 3x magnification	
<b>MODEL No.</b>	1093	
<b>FINISH/COLOUR:</b>	Chrome-plated	
<b>DIMENSIONS:</b>		
<b>OPTIONAL MATCHING PARTS:</b>		

**Technical Informations:**



<b>REMINDER:</b>	Do not use cleaners containing abrasive cleansers, ammonia, bleach, acids, waxes, alcohol, solvents or other products not recommended for chrome.
	All information is for reference only, installation shall always be based on the actual product delivered.