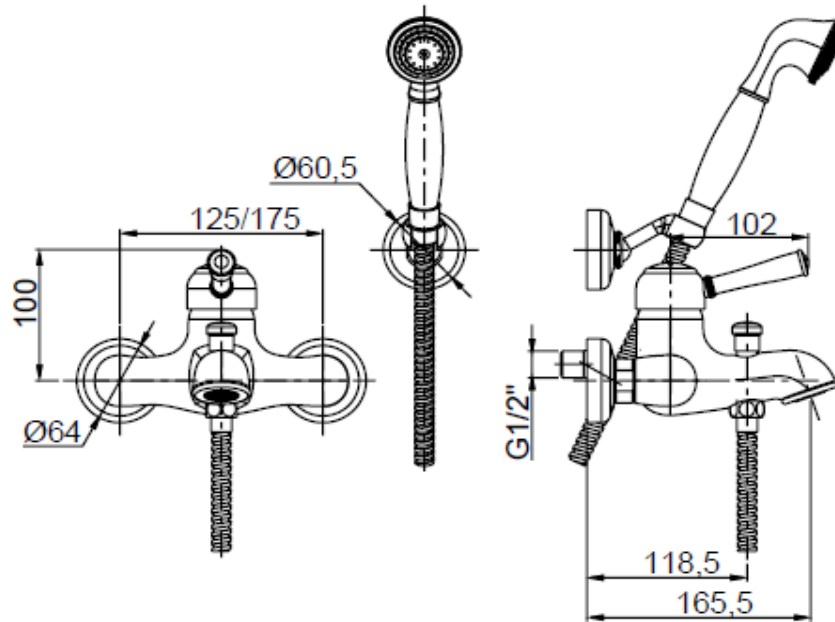


SPECIFICATION SHEET - fittings

| | | |
|---------------------------------|---|---|
| BRAND: |  | Product Photo:  |
| ORIGIN: | Italy | |
| SERIES: | MORGAN PRESTIGE | |
| PRODUCT DESCRIPTION: | Exposed single lever bath mixer with handshower | |
| MODEL No. | 63002.00 / 63002.20 | |
| FINISH/COLOUR: | Chrome-plated / Chrome-Gold | |
| DIMENSIONS: | 165.5mm spout projection | |
| OPTIONAL MATCHING PARTS: | | |

Technical Informations:



| | |
|------------------|---|
| REMINDER: | Pipe flushing must be done before faucets are installed. Failure to do so voids the warranty. |
| | Do not use cleaners containing abrasive cleansers, ammonia, bleach, acids, waxes, alcohol, solvents or other products not recommended for chrome. |
| | All information is for reference only, installation shall always be based on the actual product delivered. |