

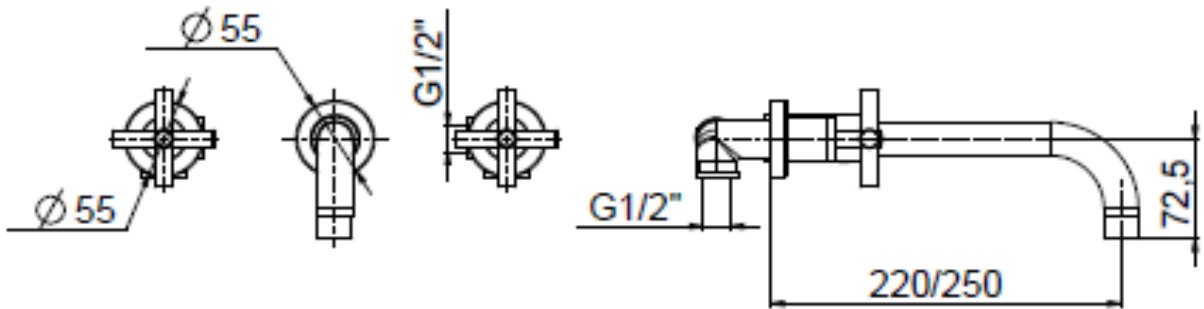


SPECIFICATION SHEET - fittings

BRAND:		Product Photo: 
ORIGIN:	Italy	
SERIES:	PIBIGI EXPLORER by FRATTINI	
PRODUCT DESCRIPTION:	Wall mounted 2-handle basin mixer	
MODEL No.	48034.00	
FINISH/COLOUR:	Chrome plated	
DIMENSIONS:	220/250mm spout projection	
OPTIONAL MATCHING PARTS:	1x basin waste strainer or pop-up 1x basin water trap	

Technical Informations:



REMINDER:	<p style="color: magenta;">Pipe flushing must be done before faucets are installed. Failure to do so voids the warranty.</p> <p>Do not use cleaners containing abrasive cleansers, ammonia, bleach, acids, waxes, alcohol, solvents or other products not recommended for chrome.</p> <p>All information is for reference only, installation shall always be based on the actual product delivered.</p>
------------------	---