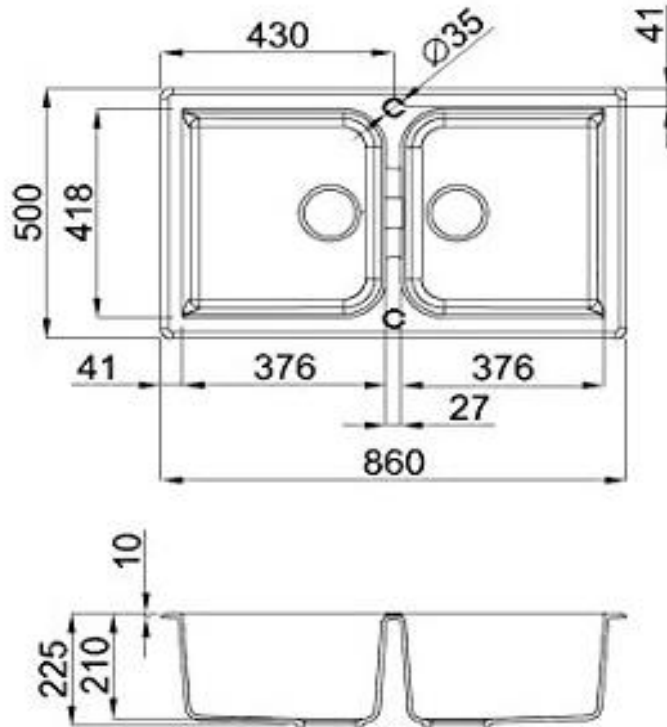


## SPECIFICATION SHEET - kitchen sinks

<b>BRAND:</b>		<b>Product Photo:</b> 
<b>ORIGIN:</b>	Italy	
<b>SERIES:</b>	Venice (Ytalo)	
<b>PRODUCT DESCRIPTION:</b>	<p><b>Natural granite-resin inset kitchen sink, with</b></p> <ul style="list-style-type: none"> <li>- Rectangular double bowl</li> <li>- Scratch resistant,</li> <li>- Temperature &amp; High impact resistant</li> <li>- 3½" waste strianer x2</li> <li>- double sink bottletrap</li> </ul>	
<b>MODEL No. &amp; COLOUR:</b>	LMN450-70 Ghisa LMN450-73 Titanium LGN450-68 Bianco TiTano	
<b>DIMENSIONS:</b>	860 x 500mm	
<b>OPTIONAL MATCHING PARTS:</b>		

**Technical Informations:**

**Tap hole(s) is/are pre-punched, please specify to warehouse for punching tap hole(s) before delivery.**



<b>REMINDER:</b>	Do not use cleaners containing abrasive cleansers, ammonia, bleach, acids, waxes, alcohol, solvents or other products not recommended for chrome. All information is for reference only, installation shall always be based on the actual product delivered.
------------------	---

