

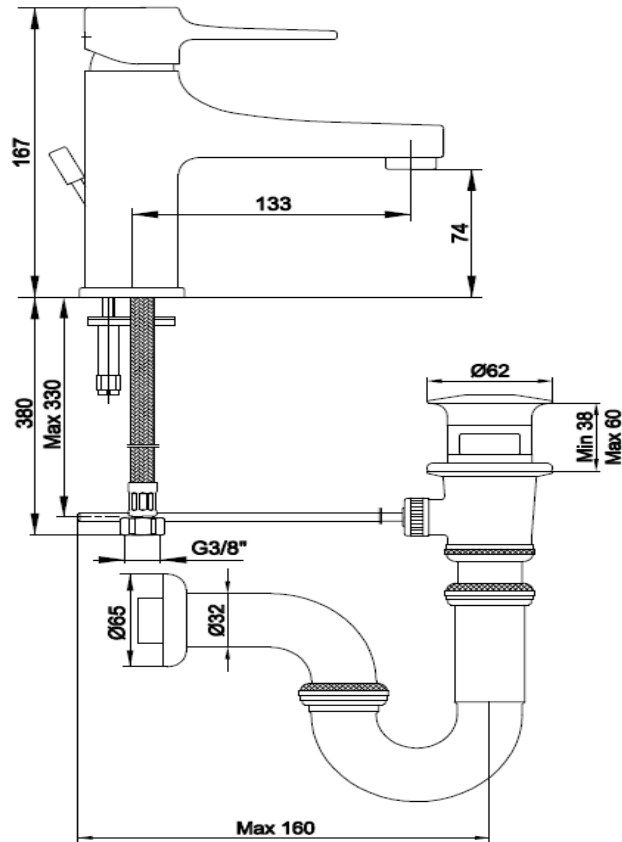


## SPECIFICATION SHEET - bathroom faucets

<b>BRAND:</b>		<b>Product Photo:</b>  
<b>ORIGIN:</b>	Turkey	
<b>SERIES:</b>	Caro	
<b>PRODUCT DESCRIPTION:</b>	<b>Single Lever basin mixer, with:</b> - pop-up waste 1¼" G - Adjustable flow angle aerator - flow rate: 5 l/min at 3 bars (45 psi) - flow pressure 1~5 bars (15~70 psi)	
<b>MODEL No.</b>	102108899 STEX	
<b>FINISH/COLOUR:</b>	Chrome	
<b>DIMENSIONS:</b>	Output length 133mm; exit height 74 mm	
<b>OPTIONAL MATCHING PARTS:</b>	Angle valve ½"x¾" x 2 Basin P-trap	

**Technical Informations:**



<b>REMINDER:</b>	<p style="color: magenta;">Pipe flushing must be done before faucets are installed. Failure to do so voids the warranty.</p> <p>Do not use cleaners containing abrasive cleansers, ammonia, bleach, acids, waxes, alcohol, solvents or other products not recommended for chrome.</p> <p>All information is for reference only, installation shall always be based on the actual product delivered.</p>
------------------	---