

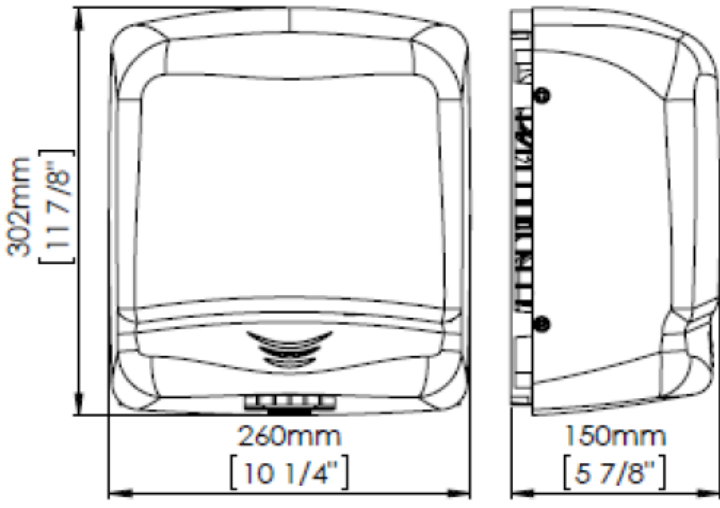


SPECIFICATION SHEET

BRAND:		Product Photo: 
ORIGIN:	Spain	
SERIES:	OPTIMA	
PRODUCT DESCRIPTION:	Sensor Operated Hand Dryer •cover thickness - 1.5mm •voltage/frequency- 220-240V/50-60Hz •weight - 4.45kg •air velocity - 65 km/h •total power - 1640 W •estimated drying time - 38 seconds	
MODEL No.	M99A	
FINISH/COLOUR:	Steel White Epoxy	
DIMENSIONS:	150mm L x 260mm W x 302mm H	
OPTIONAL MATCHING PARTS:		

Technical Informations:	
	

REMINDER:	<p style="color: magenta;">Standard procedure of flushing pipe line must be done before connecting to the faucet/mixer, and filter washer must be installed to avoid blocking of nozzles,. Warranty may void if fail to do</p> <p>Do not use abrasive or aggressive cleaners and or contain chlorine or hydrochloric acid solution for cleaning.</p> <p>All information stated above are solely for reference only, and should be based on the actual submission sample. Dimensions and specifications are subject to change without prior notice.</p>
------------------	--