

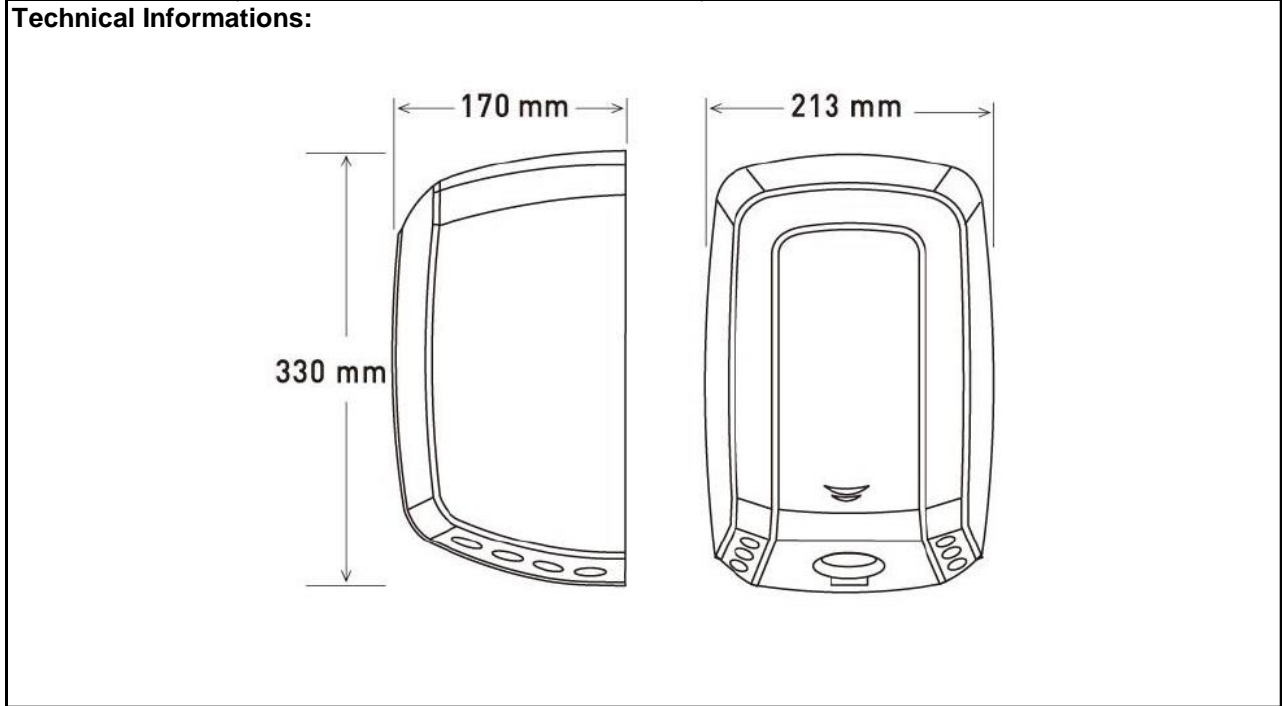


SPECIFICATION SHEET

BRAND:		Product Photo: 
ORIGIN:	Spain	
SERIES:	MACHFLOW	
PRODUCT DESCRIPTION:	Sensor Operated Hand Dryer •cover thickness - 1.5mm •voltage/frequency- 220-240V/50-60Hz •weight - 4.7kg •air velocity - 325 km/h •total power - 420-1100 W •estimated drying time - 8-12 seconds	
MODEL No.	M09A	
FINISH/COLOUR:	White epoxy	
DIMENSIONS:	170mm L x 213mm W x 330mm H	
OPTIONAL MATCHING PARTS:		



REMINDER: Standard procedure of flushing pipe line must be done before connecting to the faucet/mixer, and filter washer must be installed to avoid blocking of nozzles,. Warranty may void if fail to do

Do not use abrasive or aggressive cleaners and or contain chlorine or hydrochloric acid solution for cleaning.

All information stated above are solely for reference only, and should be based on the actual submission sample. Dimensions and specifications are subject to change without prior notice.