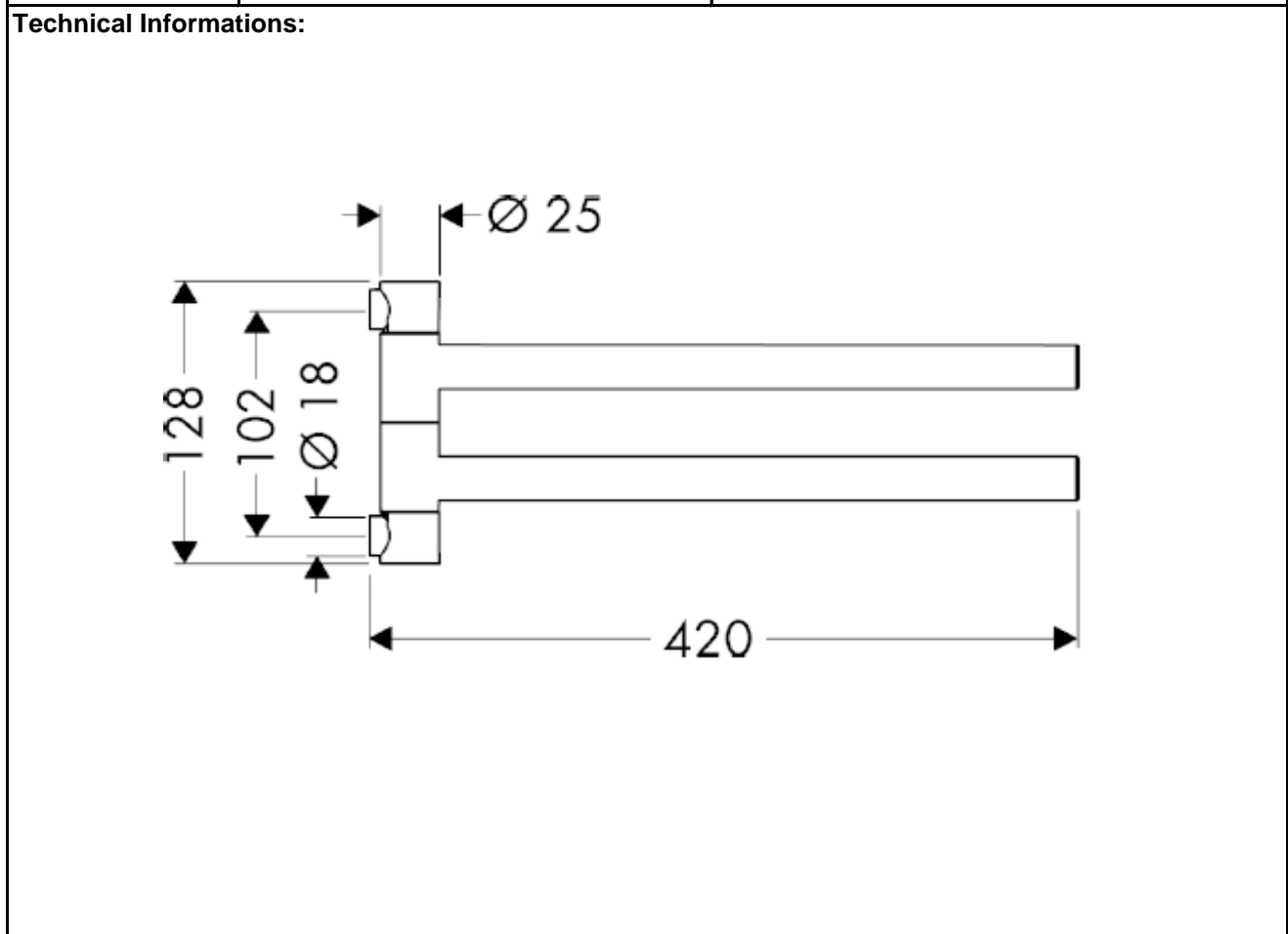


SPECIFICATION SHEET - bathroom accessories

BRAND:	AXOR®	Product Photo: 
ORIGIN:	Germany	
SERIES:	PHILIPPE STARCK	
PRODUCT DESCRIPTION:	Adjustable twin towel bars	
MODEL No.	40820.000	
FINISH/COLOUR:	Chrome-plated	
DIMENSIONS:	420mm x 128mm	
OPTIONAL MATCHING PARTS:		



REMINDER:	Do not use cleaners containing abrasive cleansers, ammonia, bleach, acids, waxes, alcohol, solvents or other products not recommended for chrome.
	All information is for reference only, installation shall always be based on the actual product delivered.