
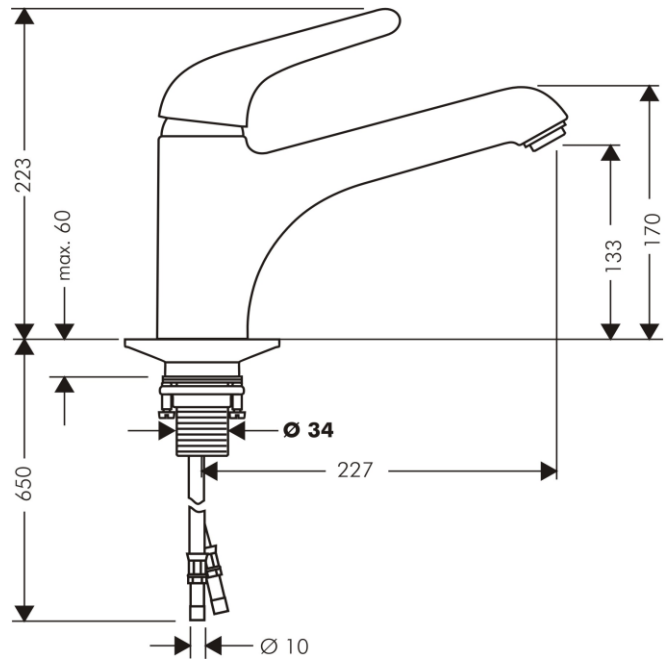


## SPECIFICATION SHEET - fittings

<b>BRAND:</b>	<b>hansgrohe</b>	<b>Product Photo:</b>  
<b>ORIGIN:</b>	Germany	
<b>SERIES:</b>	<b>Sink Mixers</b>	
<b>PRODUCT DESCRIPTION:</b>	<b>Allegra Steel</b> single lever kitchen mixer <ul style="list-style-type: none"> <li>• Flow rate: 12 l./min. at 3 bar</li> <li>• Flow pressure; 1~5 bar (15~70 psi)</li> </ul>	
<b>MODEL No.</b>	35800 800	
<b>FINISH/COLOUR:</b>	Steel	
<b>DIMENSIONS:</b>	223mm height 227mm spout projection	
<b>OPTIONAL MATCHING PARTS:</b>	2x angle valve 1/2"x3/8"	

**Technical Informations:** Suitable for continous flow water heater



**REMINDER:** Pipe flushing must be done before faucets are installed. Failure to do so voids the warranty.

Do not use cleaners containing abrasive cleansers, ammonia, bleach, acids, waxes, alcohol, solvents or other products not recommended for chrome.

All information is for reference only, installation shall always be based on the actual product delivered.