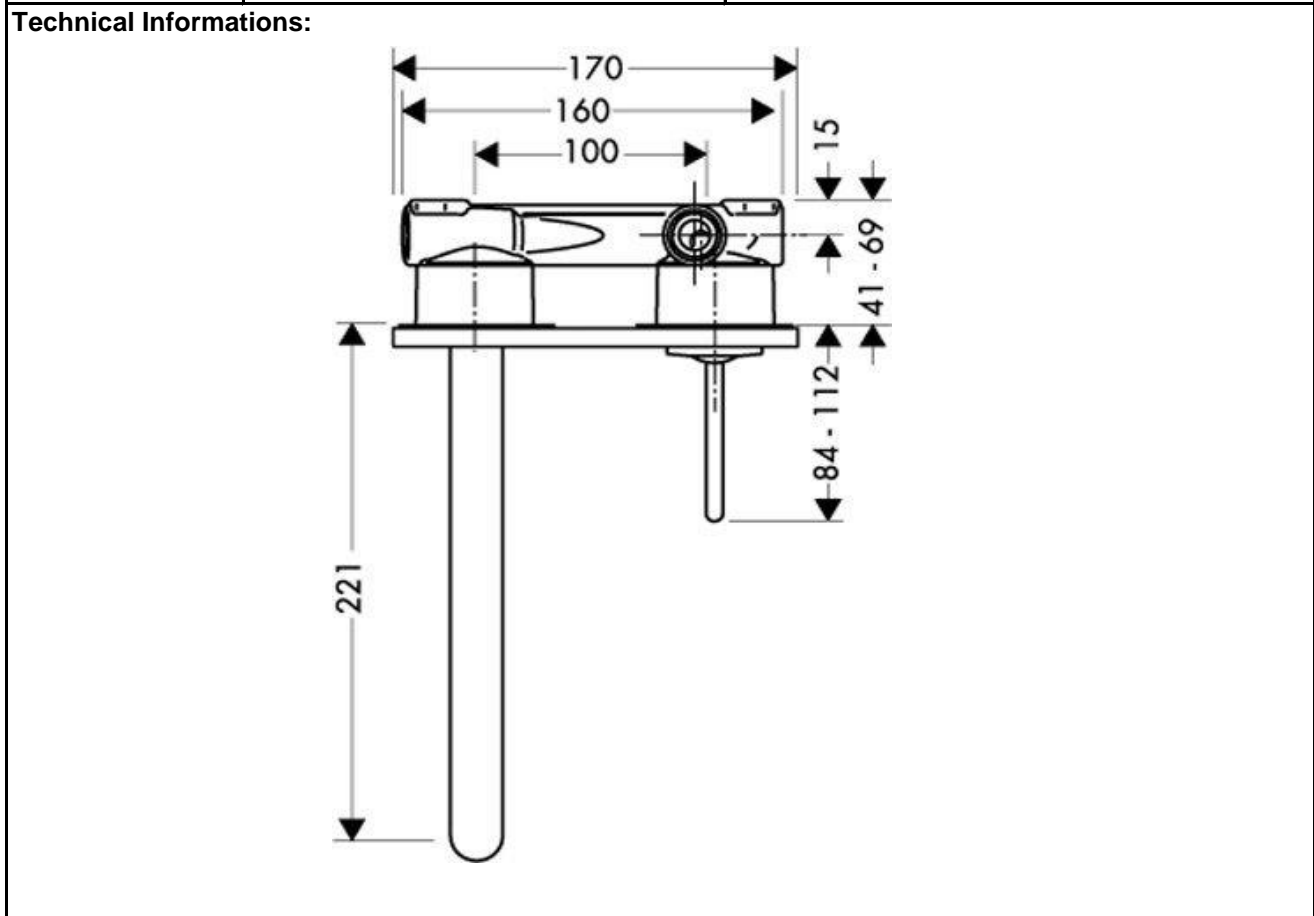


SPECIFICATION SHEET - fittings

BRAND:	AXOR®	Product Photo: 
ORIGIN:	Germany	
SERIES:	Steel 2	
PRODUCT DESCRIPTION:	Finish set for 38111.180 with plate	
MODEL No.	35115.800	
FINISH/COLOUR:	Stainless Steel	
DIMENSIONS:	170mm W 221mm spout projection	
OPTIONAL MATCHING PARTS:	1x basin waste trap 1¼"	



REMINDER:	<p style="color: magenta;">Pipe flushing must be done before faucets are installed. Failure to do so voids the warranty.</p> <p>Do not use cleaners containing abrasive cleansers, ammonia, bleach, acids, waxes, alcohol, solvents or other products not recommended for chrome.</p> <p>All information is for reference only, installation shall always be based on the actual product delivered.</p>
------------------	---