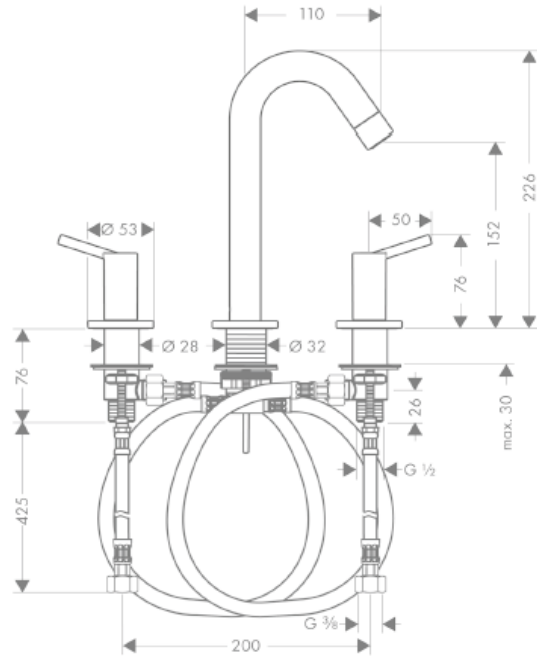


SPECIFICATION SHEET - fittings

BRAND:	hansgrohe	Product Photo: 
ORIGIN:	Germany	
SERIES:	Talis S2	
PRODUCT DESCRIPTION:	3-hole 2-handle basin mixer with high J-swivel spout • with basin pop-up waste 1 1/4" • ComfortZone 150 • Flow rate: 5 l./min. at 3 bar • Flow pressure; 1~5 bar (15~70 psi)	
MODEL No.	32310 000	
FINISH/COLOUR:	Chrome-plated	
DIMENSIONS:	226mm height 110mm spout projection	
OPTIONAL MATCHING PARTS:	2x angle valve 1/2"x3/8" basin waste trap	

Technical Informations: Suitable for continous flow water heater



REMINDER:	<p style="color: magenta;">Pipe flushing must be done before faucets are installed. Failure to do so voids the warranty.</p> <p>Do not use cleaners containing abrasive cleansers, ammonia, bleach, acids, waxes, alcohol, solvents or other products not recommended for chrome.</p> <p>All information is for reference only, installation shall always be based on the actual product delivered.</p>
------------------	---