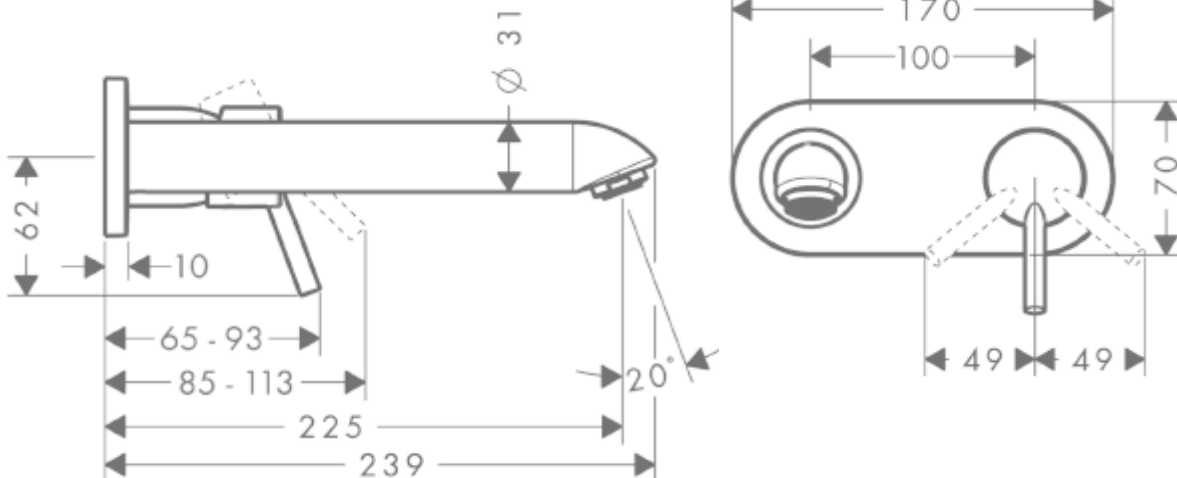


## SPECIFICATION SHEET - fittings

|                                 |   |   |
|---------------------------------|---|---|
| <b>BRAND:</b>                   | <b>hansgrohe</b>  | <b>Product Photo:</b><br><br> |
| <b>ORIGIN:</b>                  | Germany   |   |
| <b>SERIES:</b>                  | <b>Talis S2</b>   |   |
| <b>PRODUCT DESCRIPTION:</b>     | Finish set for wall mounted single lever basin mixer<br>• Flow rate: 5 l./min. at 3 bar<br>• Flow pressure; 1~5 bar (15~70 psi) |   |
| <b>MODEL No.</b>                | 31611 000   |   |
| <b>FINISH/COLOUR:</b>           | Chrome-plated   |   |
| <b>DIMENSIONS:</b>              | 239mm L x 170mm W x 70mm H<br>225mm spout projection  |   |
| <b>OPTIONAL MATCHING PARTS:</b> | 13622180 basic set  |   |

**Technical Informations:** Suitable for continous flow water heater



|                  |   |
|------------------|---|
| <b>REMINDER:</b> | Pipe flushing must be done before faucets are installed. Failure to do so voids the warranty.   |
|                  | Do not use cleaners containing abrasive cleansers, ammonia, bleach, acids, waxes, alcohol, solvents or other products not recommended for chrome. |
|                  | All information is for reference only, installation shall always be based on the actual product delivered.  |