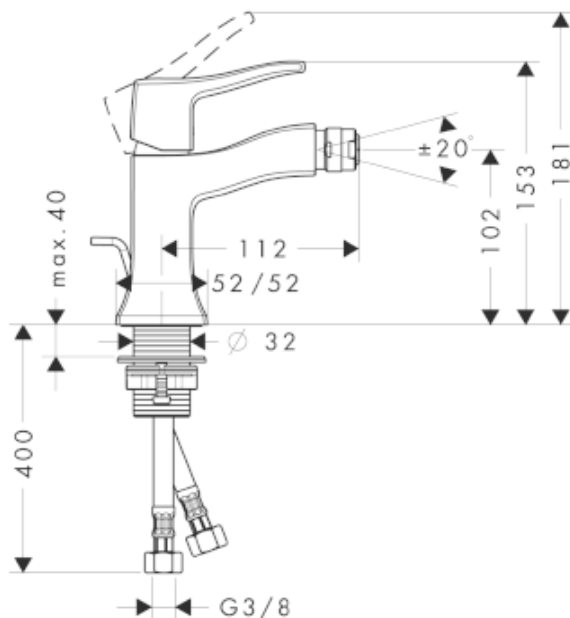


SPECIFICATION SHEET - fittings

BRAND:	hansgrohe	Product Photo: 
ORIGIN:	Germany	
SERIES:	Metris Classic	
PRODUCT DESCRIPTION:	Single lever bidet mixer • with pop-up waste 1¼" • Flow rate: 7.2 l./min. at 3 bar • Flow pressure; 1~5 bar (15~70 psi)	
MODEL No.	31275 000	
FINISH/COLOUR:	Chrome-plated	
DIMENSIONS:	112mm spout projection 153mm height	
OPTIONAL MATCHING PARTS:	2x angle valve ½"x¾" bidet waste trap	

Technical Informations:



REMINDER:	Pipe flushing must be done before faucets are installed. Failure to do so voids the warranty.
	Do not use cleaners containing abrasive cleansers, ammonia, bleach, acids, waxes, alcohol, solvents or other products not recommended for chrome.
	All information is for reference only, installation shall always be based on the actual product delivered.