
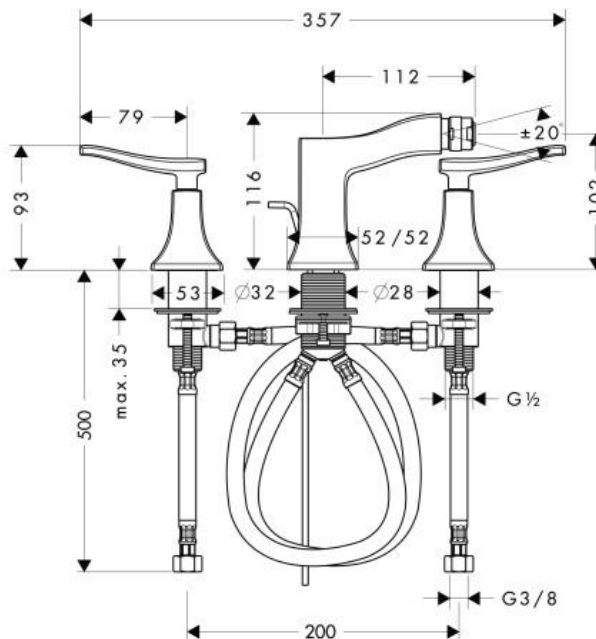


SPECIFICATION SHEET - fittings

BRAND:	hansgrohe	Product Photo: 
ORIGIN:	Germany	
SERIES:	Metris Classic	
PRODUCT DESCRIPTION:	3-hole 2-handle bidet mixer • with pop-up waste 1¼" • Flow rate: 5 l./min. at 3 bar • Flow pressure; 1~5 bar (15~70 psi)	
MODEL No.	31273 000	
FINISH/COLOUR:	Chrome-plated	
DIMENSIONS:	112mm L x 357mm W x 116mm H	
OPTIONAL MATCHING PARTS:	2x angle valve ½"x¾" bidet waste trap	

Technical Informations:



REMINDER:	Pipe flushing must be done before faucets are installed. Failure to do so voids the warranty.
	Do not use cleaners containing abrasive cleansers, ammonia, bleach, acids, waxes, alcohol, solvents or other products not recommended for chrome.
	All information is for reference only, installation shall always be based on the actual product delivered.