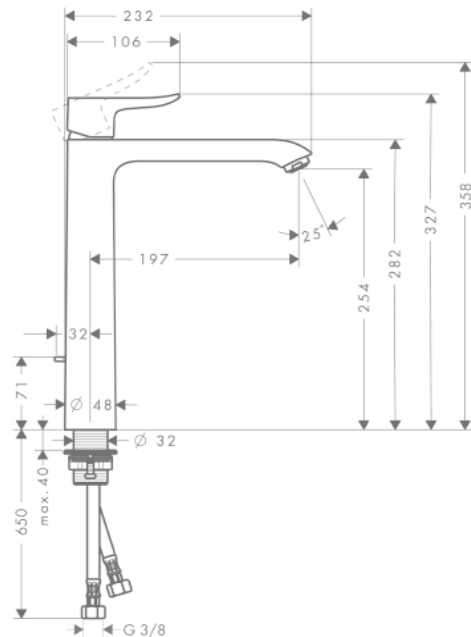


SPECIFICATION SHEET - fittings

BRAND:	hangrohe	Product Photo: 
ORIGIN:	Germany	
SERIES:	New Metris	
PRODUCT DESCRIPTION:	Tall single lever basin mixer 260 for washbowl • with basin pop-up waste 1 1/4" • Flow rate: 5 l./min. at 3 bar • Flow pressure; 1~5 bar (15~70 psi)	
MODEL No.	31082 000	
FINISH/COLOUR:	Chrome-plated	
DIMENSIONS:	222mm length x 327mm mm height 197mm spout projection	
OPTIONAL MATCHING PARTS:	2x angle valve 1/2"x3/8" basin waste trap	

Technical Informations: Suitable for continous flow water heater



REMINDER:	Pipe flushing must be done before faucets are installed. Failure to do so voids the warranty.
	Do not use cleaners containing abrasive cleansers, ammonia, bleach, acids, waxes, alcohol, solvents or other products not recommended for chrome.
	All information is for reference only, installation shall always be based on the actual product delivered.