
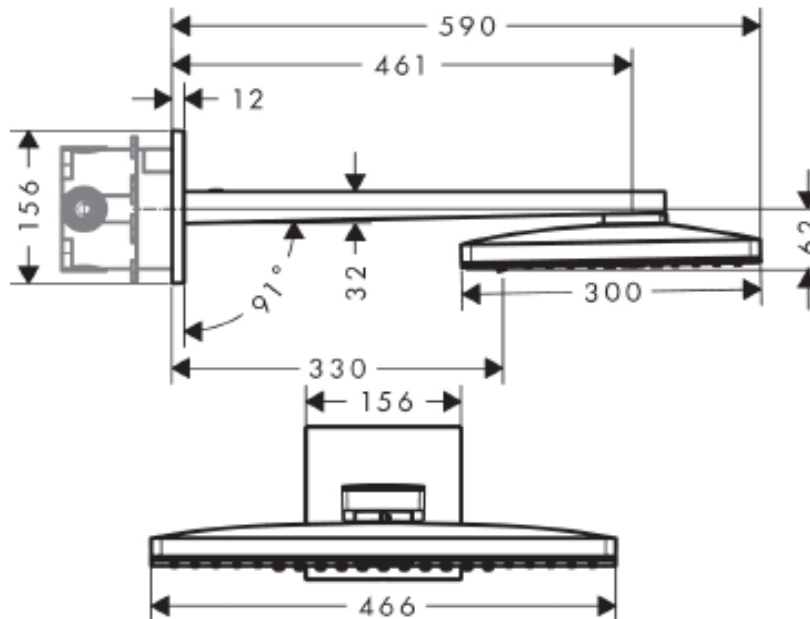


SPECIFICATION SHEET - fittings

BRAND:	hangrohe	Product Photo: 
ORIGIN:	Germany	
SERIES:	Overhead Showers	
PRODUCT DESCRIPTION:	Rainmaker Select 460 2jet overhead shower • Rain & RainStream sprays • with EcoSmart water saving • with wall shower arm • Flow rate: 9 l./min. at 3 bar	
MODEL No.	24015 400	
FINISH/COLOUR:	White / Chrome	
DIMENSIONS:	300mm x 466mm	
OPTIONAL MATCHING PARTS:	01800000 iBox	

Technical Informations: Suitable for continous flow water heater



REMINDER:	Pipe flushing must be done before faucets are installed. Failure to do so voids the warranty.
	Do not use cleaners containing abrasive cleansers, ammonia, bleach, acids, waxes, alcohol, solvents or other products not recommended for chrome.
	All information is for reference only, installation shall always be based on the actual product delivered.