
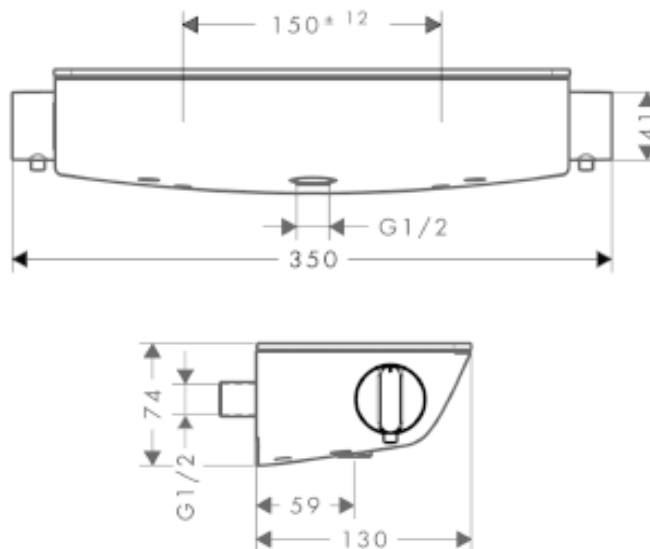


SPECIFICATION SHEET - fittings

BRAND:	hansgrohe	Product Photo: 
ORIGIN:	Germany	
SERIES:	Ecostat Select	
PRODUCT DESCRIPTION:	Exposed thermostatic shower mixer with bottom outlet 1/2" for shower hose • Flow rate: 30 l/min. at 3 bar • Flow pressure: 1~5 bar (15~70 psi)	
MODEL No.	13161 400	
FINISH/COLOUR:	White / Chrome	
DIMENSIONS:	130mm L x 350mm W	
OPTIONAL MATCHING PARTS:		

Technical Informations: Suitable for continous flow water heater



REMINDER:	Pipe flushing must be done before faucets are installed. Failure to do so voids the warranty.
	Do not use cleaners containing abrasive cleansers, ammonia, bleach, acids, waxes, alcohol, solvents or other products not recommended for chrome.
	All information is for reference only, installation shall always be based on the actual product delivered.